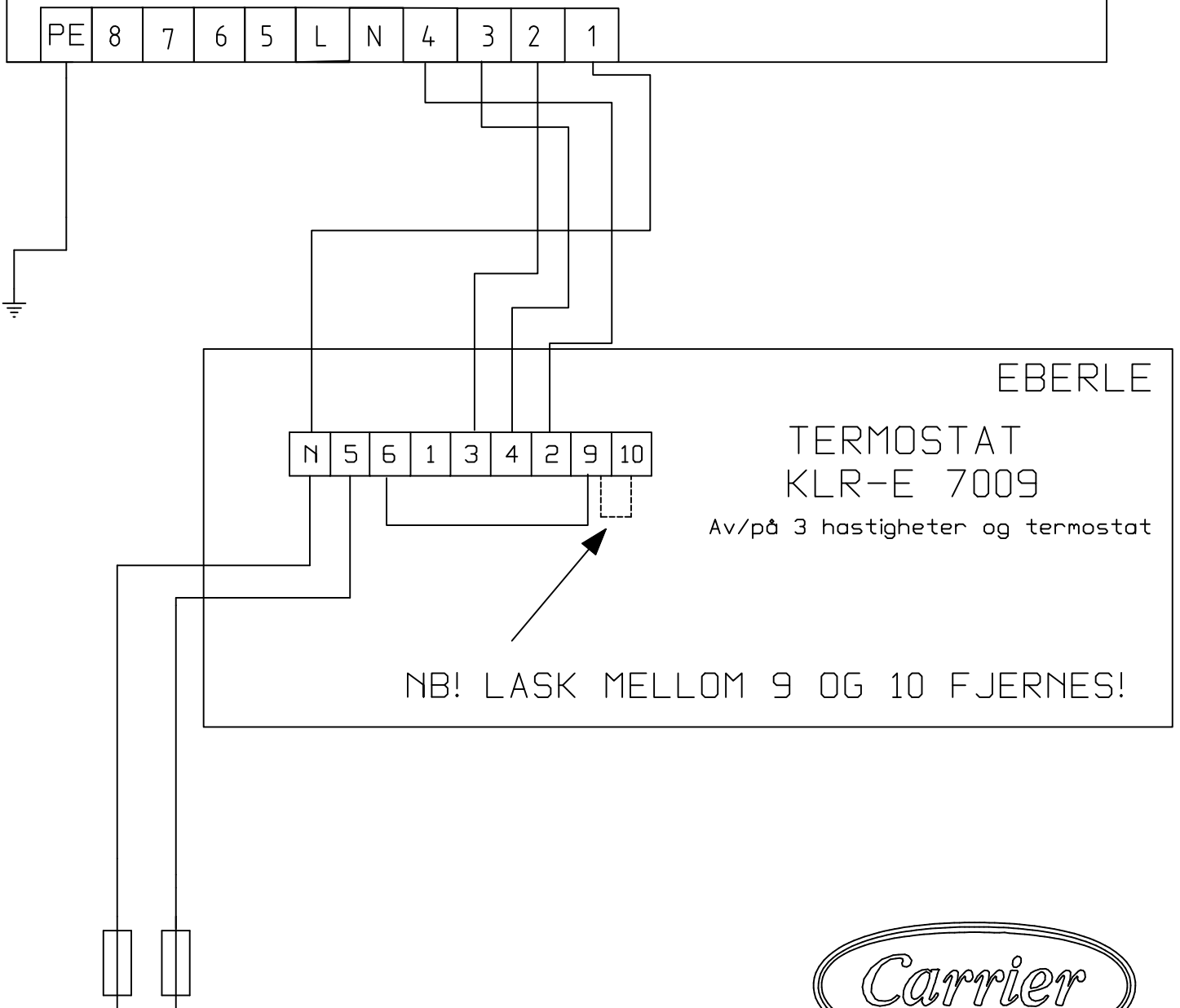


# EL:SKJEMA FOR CARRIER FANCOIL MODELL 42 N\_S

Carrier 42 N\_S fancoil for isvann

|           |      |      |      |      |      |      |      |
|-----------|------|------|------|------|------|------|------|
| Størrelse | 15   | 20   | 26   | 30   | 42   | 45   | 65   |
| Watt      | 30   | 36   | 65   | 57   | 100  | 128  | 165  |
| Amp.      | 0.14 | 0.17 | 0.30 | 0.26 | 0.46 | 0.58 | 0.75 |

Spenning 230 V 1 fase 50 Hz



Hovedtilførsel  
230 V/1/50 Hz  
10 Amp. sikring

THERMO Control